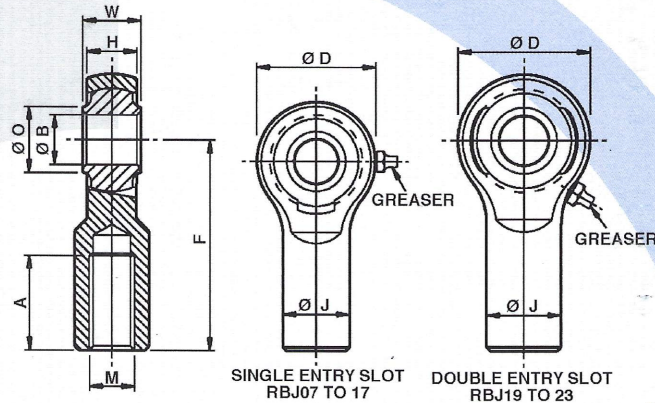


Rod End housing

Nickel chromium molybdenum steel
Heat treated to 80/90 tons/in²
Tensile
Phosphated all over

Ball

1% carbon chromium steel
Heat treated
Phosphated all over



SINGLE ENTRY SLOT RBJ07 TO 17
DOUBLE ENTRY SLOT RBJ19 TO 23

For tight fit add suffix 'TF' to part no. Eg. RBJ11MKTF
Suffix 'G' in part no. denotes grease nipple

Rose part no	B	W	H	O	D	F	A	J	M		X	Max static radial load	Weight
	Bore dia	Ball width	Head width	Ball face dia	Head dia	Centre length	Thread length	Shank dia	Thread size	Thread hand	Angle		
RBJ	H7	+0 -0,12	+0,12 -0,12	Min	+0,25 -0,25	+0,25 -0,25	+1,0 -0	+0,25 -0,25	ISO med fit		deg	N	kg
07M	6	9,5	8,1	9,5	20,6	28,7	14,0	10,1	M6 x 1,0	RH	22	11770	0,025
08M	6	9,5	8,1	9,5	20,6	28,7	14,0	10,1	M6 x 1,0	LH	22	11770	0,025
10M	8	11,0	9,5	11,0	23,8	33,2	17,0	11,1	M8 x 1,0	RH	21	19610	0,036
10MK	8	11,0	9,5	11,0	23,8	33,2	17,0	11,1	M8 x 1,25	RH	21	19610	0,036
11M	8	11,0	9,5	11,0	23,8	33,2	17,0	11,1	M8 x 1,0	LH	21	19610	0,036
11MK	8	11,0	9,5	11,0	23,8	33,2	17,0	11,1	M8 x 1,25	LH	21	19610	0,036
	H7	+0 -0,12	+0,12 -0,12	Min	+0,75 -0,25	+0,25 -0,25	+1,0 -0	+0,25 -0,25					
13M	10	14,2	12,2	14,2	31,0	41,2	21,0	15,2	M10 x 1,25	RH	22	27460	0,090
13MK	10	14,2	12,2	14,2	31,0	41,2	21,0	15,2	M10 x 1,5	RH	22	27460	0,090
14M	10	14,2	12,2	14,2	31,0	41,2	21,0	15,2	M10 x 1,25	LH	22	27460	0,090
14MK	10	14,2	12,2	14,2	31,0	41,2	21,0	15,2	M10 x 1,5	LH	22	27460	0,090
16MG	12	19,0	16,2	19,0	41,2	54,2	28,0	20,3	M12 x 1,25	RH	22	49030	0,210
16MGK	12	19,0	16,2	19,0	41,2	54,2	28,0	20,3	M12 x 1,75	RH	22	49030	0,210
17MG	12	19,0	16,2	19,0	41,2	54,2	28,0	20,3	M12 x 1,25	LH	22	49030	0,210
17MGK	12	19,0	16,2	19,0	41,2	54,2	28,0	20,3	M12 x 1,75	LH	22	49030	0,210
19MG	16	22,2	19,0	22,2	49,2	66,7	34,0	25,4	M16 x 1,5	RH	21	77470	0,312
19MGK	16	22,2	19,0	22,2	49,2	66,7	34,0	25,4	M16 x 2,0	RH	21	77470	0,312
20MG	16	22,2	19,0	22,2	49,2	66,7	34,0	25,4	M16 x 1,5	LH	21	77470	0,312
20MGK	16	22,2	19,0	22,2	49,2	66,7	34,0	25,4	M16 x 2,0	LH	21	77470	0,312
22MG	20	22,2	20,6	25,4	54,0	79,2	44,0	28,5	M20 x 1,5	RH	16	110810	0,397
23MG	20	22,2	20,6	25,4	54,0	79,2	44,0	28,5	M20 x 1,5	LH	16	110810	0,397

Dimensions in millimetres

Diametral clearance		
Bore size	Normal fit mm	Tight fit mm
07M to 14M	0 to 0,033	0 to 0,018
16M to 23M	0 to 0,040	0 to 0,020

For other sizes and options please contact Rose Bearings.

Please consult Rose Bearings for availability of bearings in this series.

Rose Bearings operates a policy of continual improvement, and therefore reserves the right to revise specifications without notice.